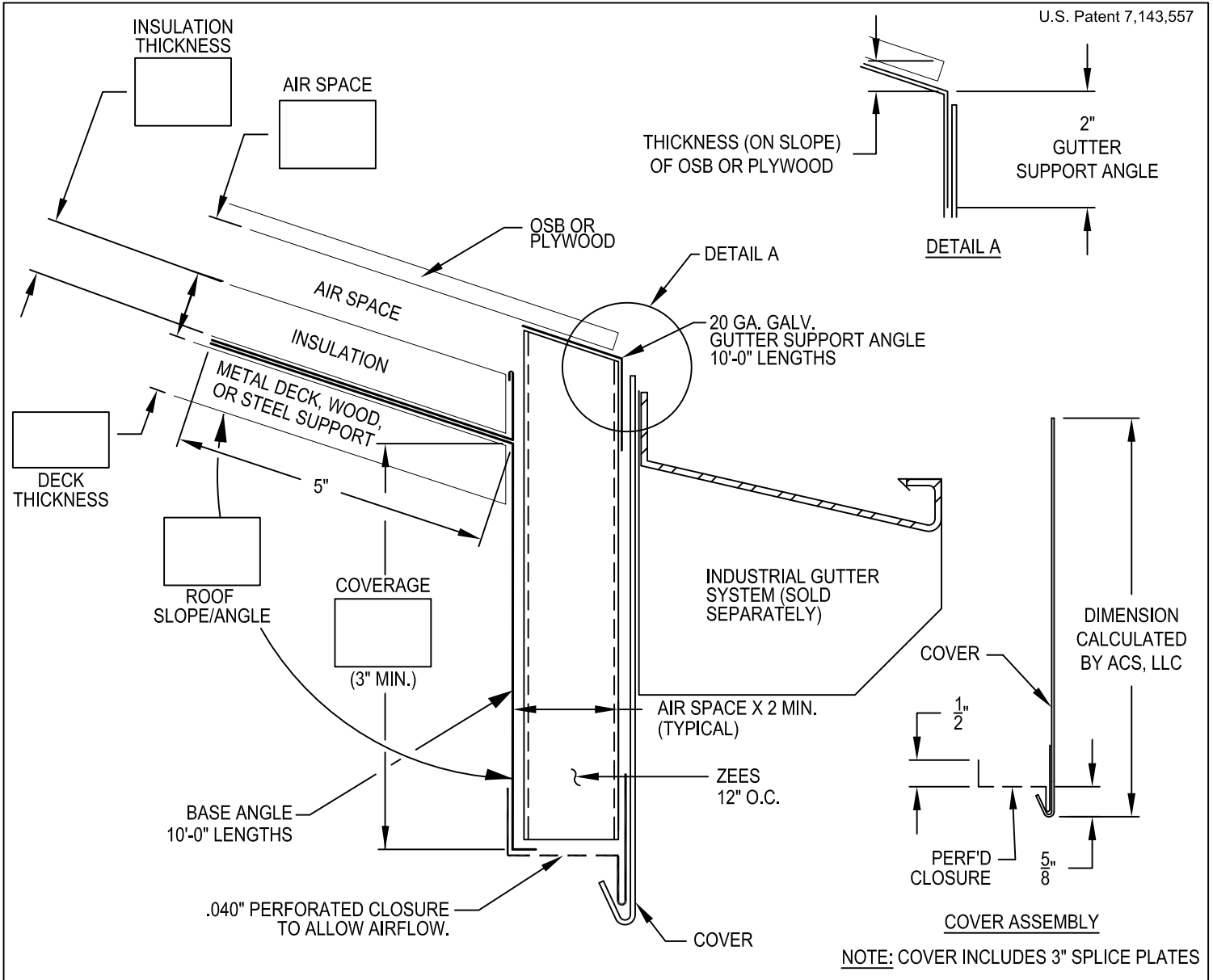


REFERENCE DETAIL:

STRUCTEAVENT SYSTEM NSV

NON-STRUCTURAL VENTED



Fabrication will proceed only after receipt of signed print approval.

Print Approval:

Architect and/or contractor shall verify all dimensions, sizes and quantities. All products to be installed in strict accordance with ACS, LLC printed instructions.

Approved by: _____

Date: _____

COVER:

- | | |
|------------------------------------------------------|-------------------------------------------------------|
| <input type="checkbox"/> 22 Ga. (.81 mm) Galv. Steel | <input type="checkbox"/> 24 Ga. (.65 mm) Galv. Steel* |
| <input type="checkbox"/> .040" (1.01 mm) Aluminum* | <input type="checkbox"/> .050" (1.27 mm) Aluminum |
| <input type="checkbox"/> .063" (1.60 mm) Aluminum | <input type="checkbox"/> Other: _____ |

Color: _____

Finish: _____


PERFORATED CLOSURE:

- | | |
|-----------------------------------------------------|------------------------------------------------------|
| <input type="checkbox"/> .040" (1.01 mm) Bone White | <input type="checkbox"/> .040" (1.01 mm) Dark Bronze |
| <input type="checkbox"/> .040" (1.01 mm) Sandstone | |

QUANTITIES:

_____ Linear Feet (10'-0" (3.05 M Lengths) Include Waste As Required

PROJECT:	
ARCHITECT:	
CONTRACTOR:	
REPRESENTATIVE:	

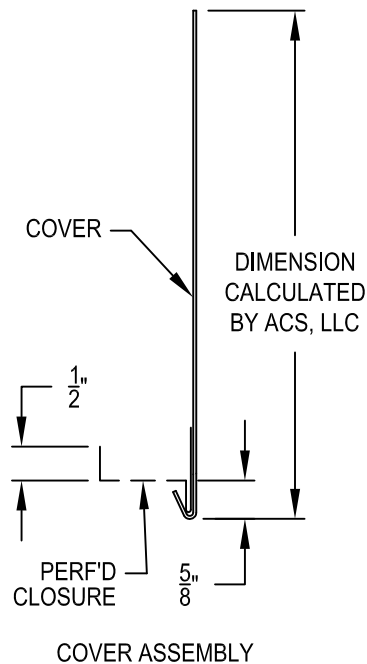
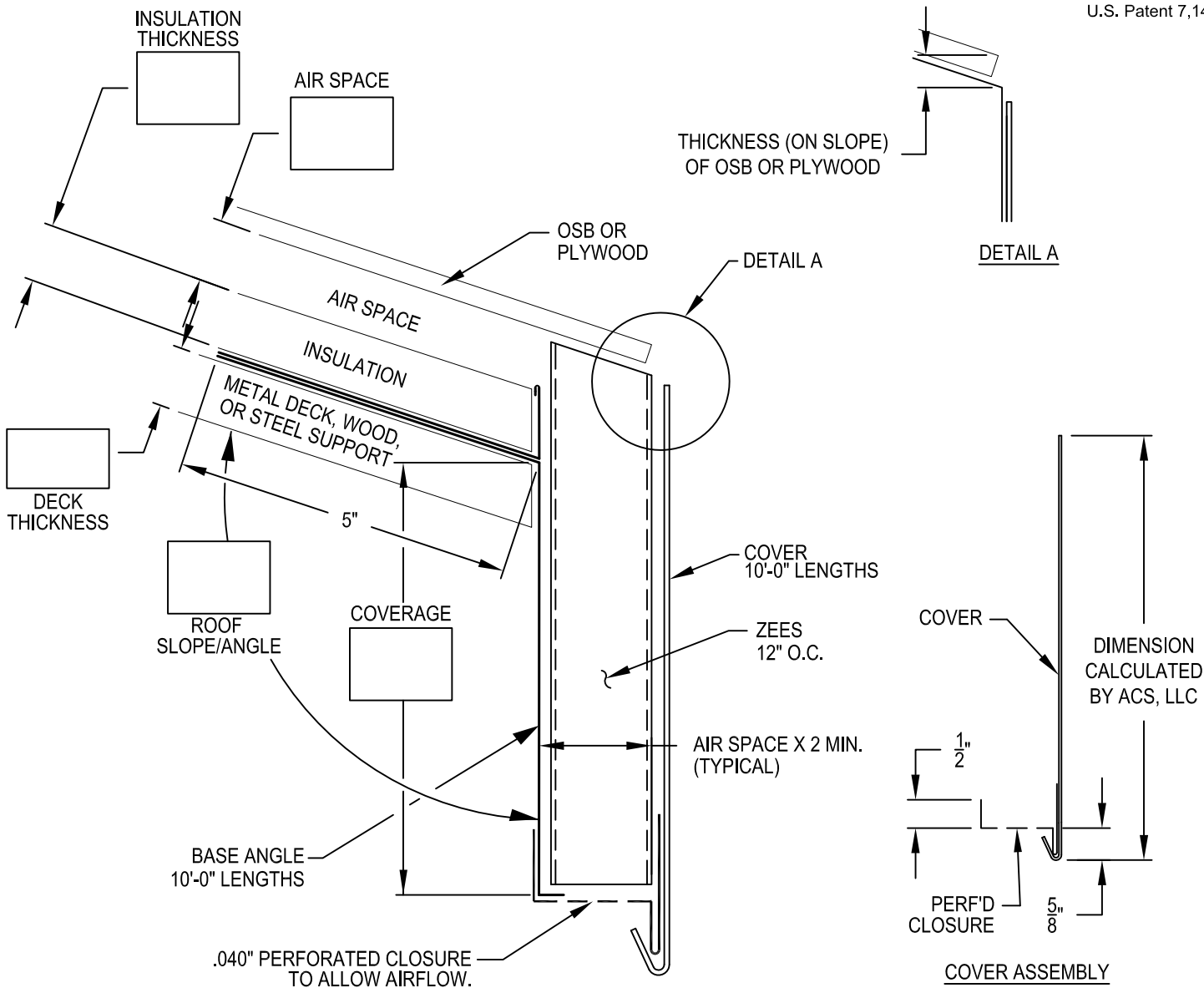
 ACS, LLC 2550 Five Star Pkwy. Phone : 877-580-9756 Suite 116 Bessemer, AL 35022 www.acs-reps.com	DATE: 01/26/10	SHT.# _____ OF _____
	DRN BY: JWT	
	CHK BY: BS, JR.	DWG# _____ X

REFERENCE DETAIL:

STRUCTEAVENT SYSTEM NSV

NON-STRUCTURAL VENTED

U.S. Patent 7,143,557



NOTE: COVER INCLUDES 3" SPLICE PLATES

Fabrication will proceed only after receipt of signed print approval.

Print Approval:

Architect and/or contractor shall verify all dimensions, sizes and quantities. All products to be installed in strict accordance with ACS, LLC printed instructions.

Approved by: _____

Date: _____

COVER:

- 22 Ga. (.81 mm) Galv. Steel
- .040" (1.01 mm) Aluminum*
- .063" (1.60 mm) Aluminum
- 24 Ga. (.65 mm) Galv. Steel*
- .050" (1.27 mm) Aluminum
- Other: _____

Color: _____

Finish: _____

PERFORATED CLOSURE:

- .040" (1.01 mm) Bone White
- .040" (1.01 mm) Dark Bronze
- .040" (1.01 mm) Sandstone

QUANTITIES:

_____ Linear Feet (10'-0" (3.05 M Lengths) Include Waste As Required

PROJECT:

ARCHITECT:

CONTRACTOR:

REPRESENTATIVE:



ACS, LLC

2550 Five Star Pkwy. Phone : 877-580-9756
Suite 116
Bessemer, AL 35022 www.acs-reps.com

DATE: 08/18/08

DRN BY: JWT

CHK BY: BS, JR.

SHT.# ____ OF ____

DWG#

X