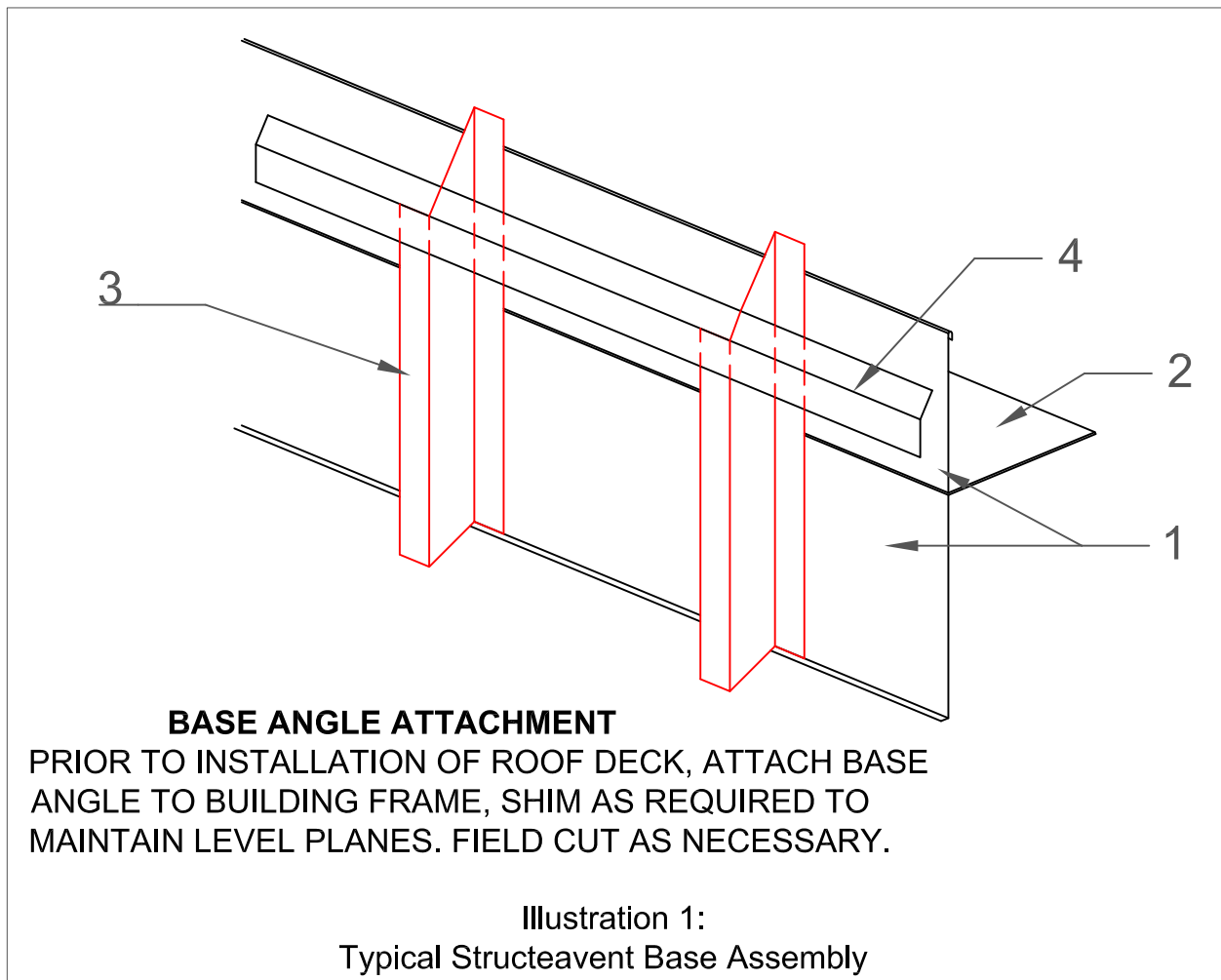


STRUCTEAVENT COMPONENTS AND INSTALLATION

The Structeavent system is easy to install and only has two major components: the Structeavent Base assembly, the Structeavent Fascia, and in the case of a vented system, the Structeavent Closure. The Structeavent base and fascia both have their own splice plates.

Base Assembly:

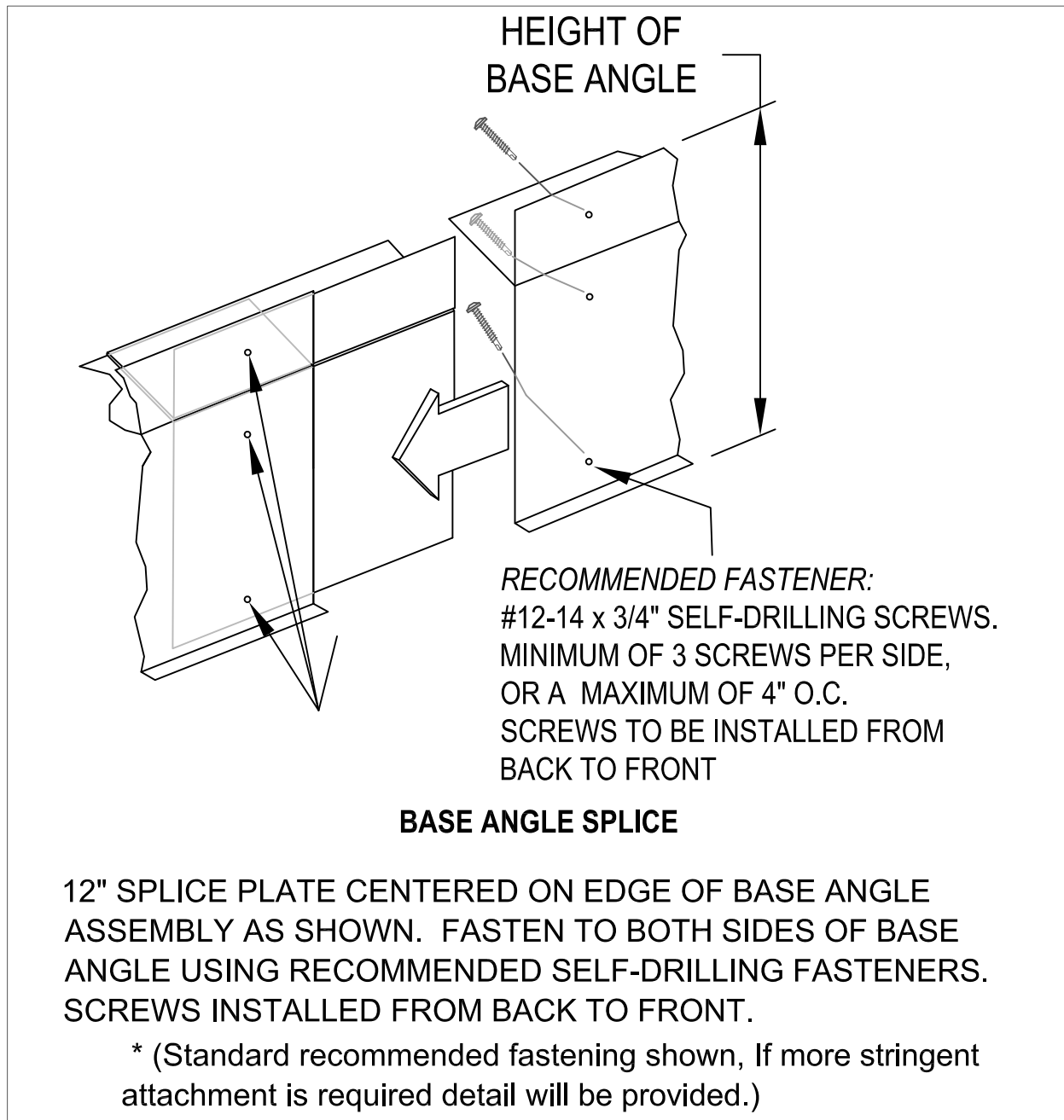
The base assembly consists of the base angles and the zee spacers as shown, (Illustration 1). The zee spacers are factory installed at 12" on center and are used to allow for the movement of air from the base of the fascia to the appropriate location in the roof system.



1. Galvanized upper and lower base in 10 ft sections
2. Attachment flange, to match slope of roof
3. Zee's, shop installed at 12" o.c.
4. Optional Gutter Angle

The base splice plate is supplied with 1 splice plate per 10 ft section, shipped with the Structeavent order.

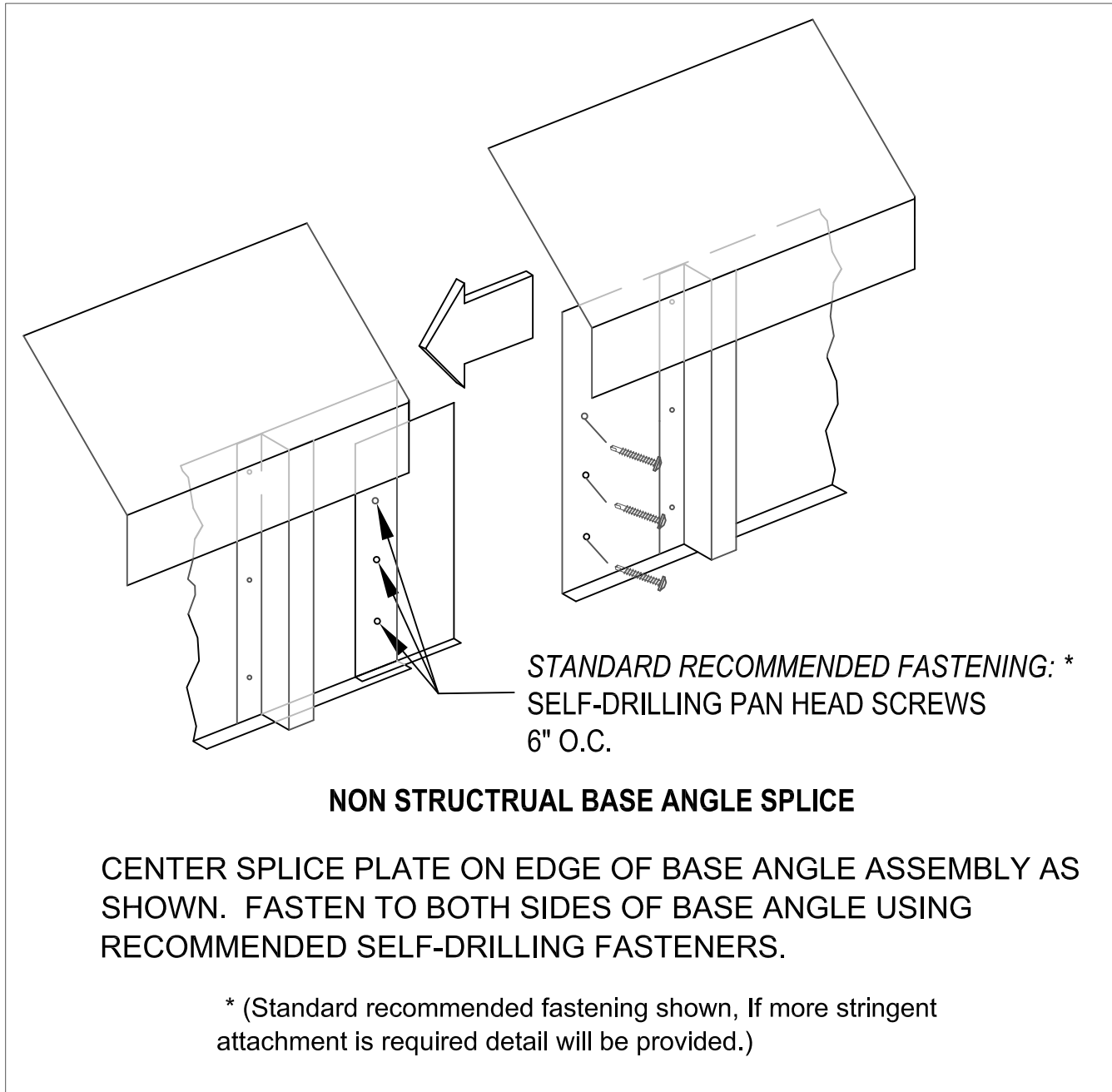
Splice plates are installed at locations where the base sections come together.



STRUCTURAL SPLICE PLATE DETAIL

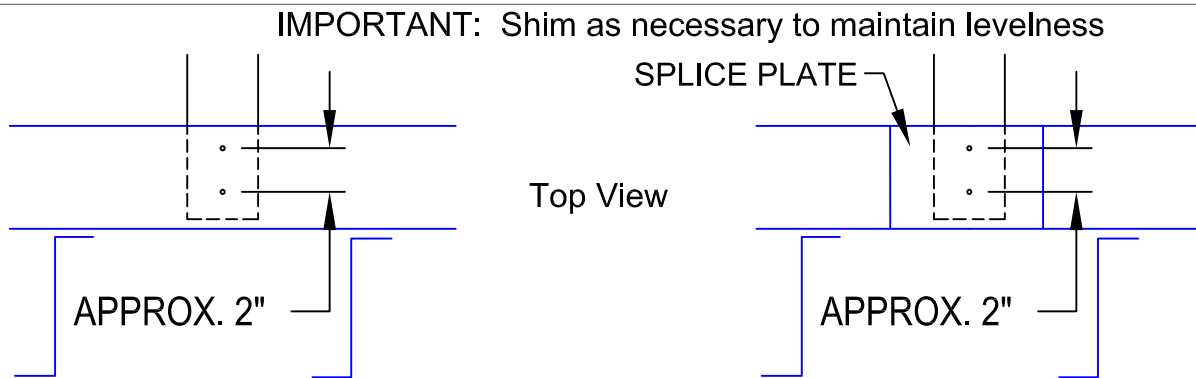
The base splice plate is supplied with 1 splice plate per 10 ft section, shipped with the Structeavent order.

Splice plates are installed at locations where the base sections come together.



NON STRUCTURAL SPLICE PLATE DETAIL

Illustrations 3 through 7 show the fastening patterns required for structures using structural steel, light gauge steel, or directly to wood or metal decking. Shimming may be required to maintain levelness.



SPAN OVER LIGHT GAUGE TRUSS

*RECOMMENDED FASTENER: **

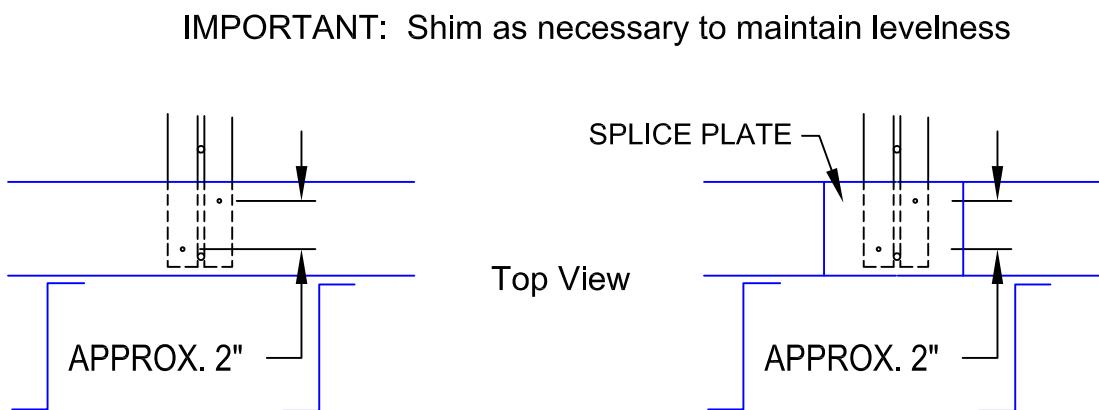
#12-14 x 3/4" SELF-DRILLING
2 PER TRUSS

JOINT OVER LIGHT GAUGE TRUSS

*RECOMMENDED FASTENER: **

#12-14 x 3/4" SELF-DRILLING
2 PER TRUSS PER SECTION

Illustration 3:
Fastening Base Assembly to Light Gauge Steel



SPAN OVER STRUCTURAL STL. JOIST

*RECOMMENDED FASTENER: **

#12-14 x 3/4" SELF-DRILLING w/ #3 POINT OR
#5 POINT, 2 PER TRUSS

JOINT OVER STRUCTURAL STL. JOIST

*RECOMMENDED FASTENER: **

#12-14 x 3/4" SELF-DRILLING w/ #3 POINT OR
#5 POINT, 2 PER TRUSS

Illustration 4:
Fastening Base Assembly to Structural Steel

IMPORTANT: Shim as necessary to maintain levelness



SPAN OVER STRUCTURAL STL. JOIST

RECOMMENDED FASTENING: *
5/8" ARC WELD

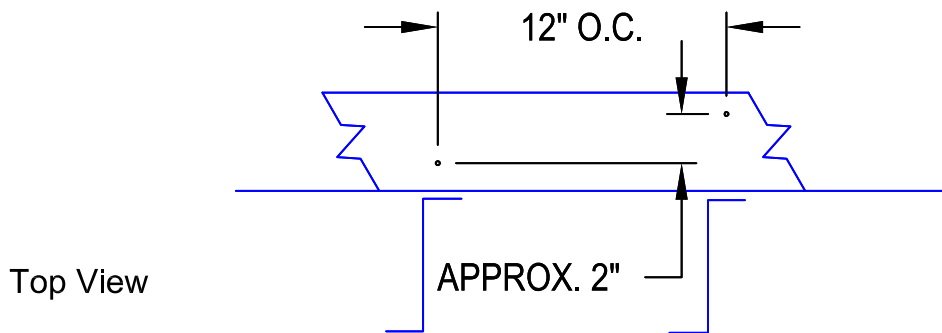
JOINT OVER STRUCTURAL STL. JOIST

RECOMMENDED FASTENING: *
5/8" ARC WELD

Illustration 5:
ARC Welding to Structural Steel

* Attachments as shown for details 3 through 7, are for standard attachment to substrates as shown. Should more stringent requirements be necessary, a separate detail will be provided.

IMPORTANT: Shim as necessary to maintain levelness



SPAN OVER WOOD DECKING

STAGGER AS SHOWN - PRE-DRILL DECK FLANGE

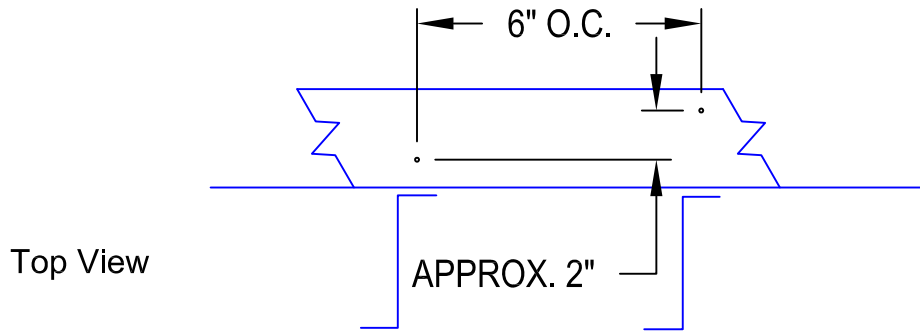
RECOMMENDED FASTENER:

#9 METAL TO WOOD SCREW W/ SUFFICIENT LENGTH
TO PENETRATE WOOD TO A MIN. 1" DEPTH

LEAVE $\frac{1}{8}$ " GAP BETWEEN SECTIONS

Illustration 6:
Fastening Non Structural Base Assembly to Wood Decking

IMPORTANT: Shim as necessary to maintain levelness



SPAN OVER METAL DECKING

STAGGER AS SHOWN

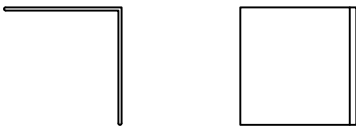
RECOMMENDED FASTENER:

#12-14 x $\frac{3}{4}$ " SELF-DRILLING w/ #3 POINT

LEAVE $\frac{1}{8}$ " GAP BETWEEN SECTIONS

Illustration 7:
Fastening Non Structural Base Assembly to Metal Decking

OPTIONAL ADDITIONAL ATTACHMENT: After indentifying the highest top cord, and the heel furthest outset, the detail as shown below may be used to assist in maintaining vertical as well as horizontal planes of the Structeavent Base



CLIP MADE FROM ANGLED LIGHT GAUGE METAL OR SCRAP METAL. SIZE ACCORDING TO NEED. TYPICAL MINIMUM SIZE 3"X3". BREAK OR BEND TO 90 DEGREE FOR ATTACHMENT TO BACK SIDE OF STRUCTEAVENT AND SIDE OF ROOF FRAMING. SPACE AS NEEDED

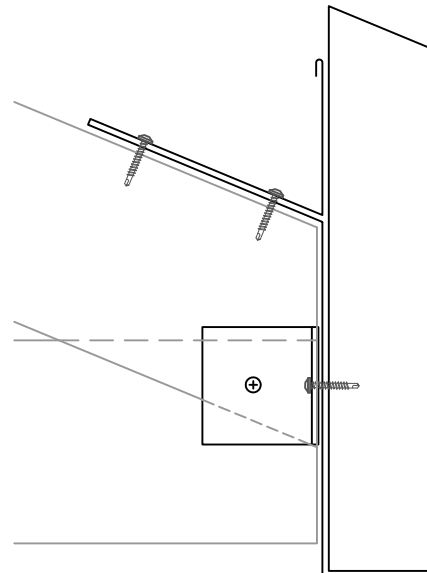
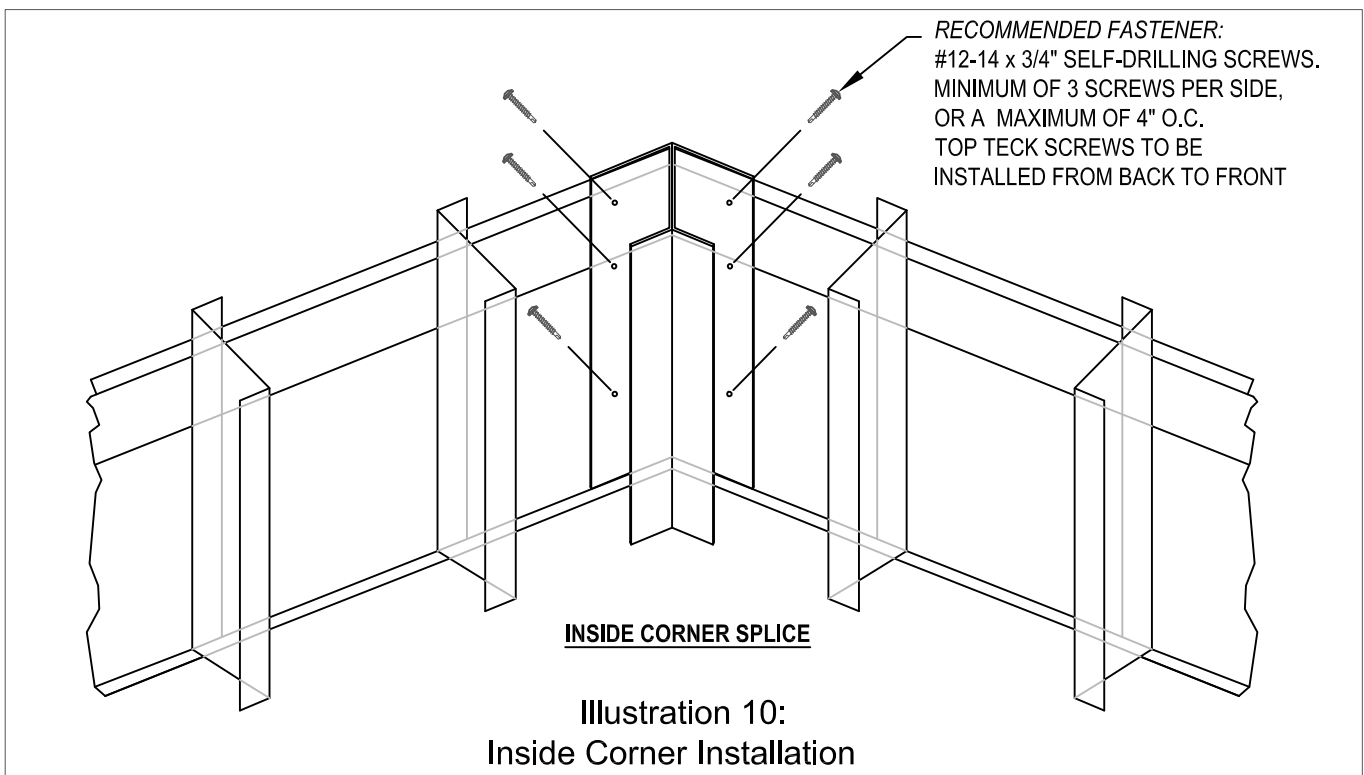
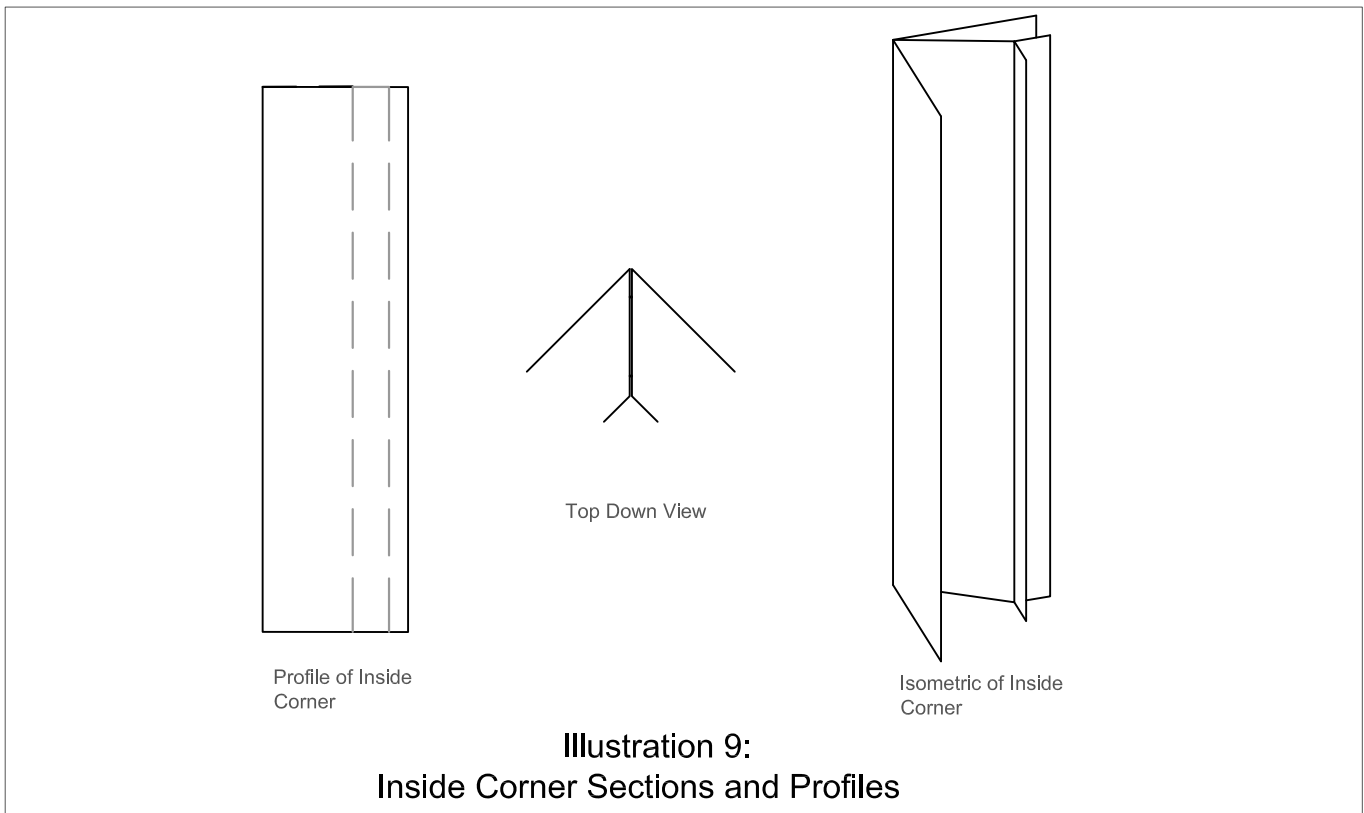


Illustration 8:
Optional Additional Attachment

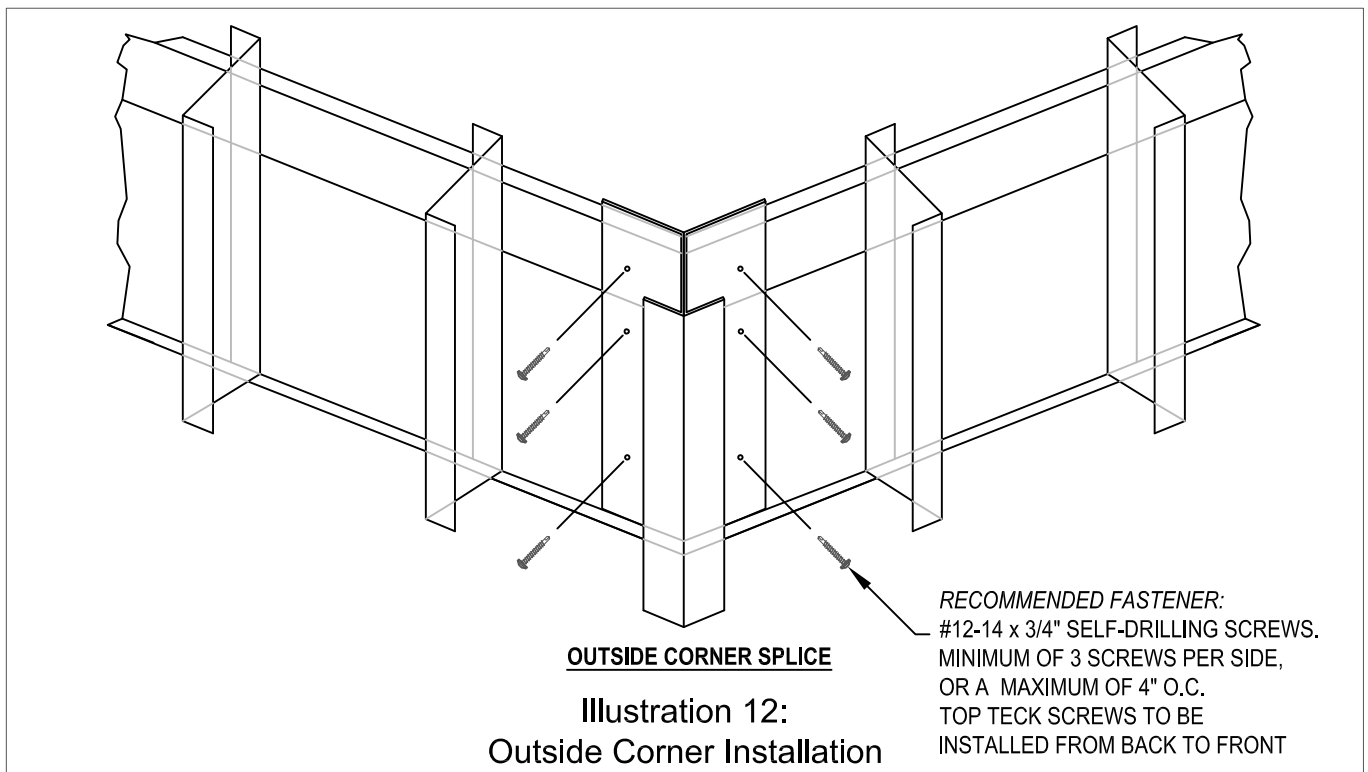
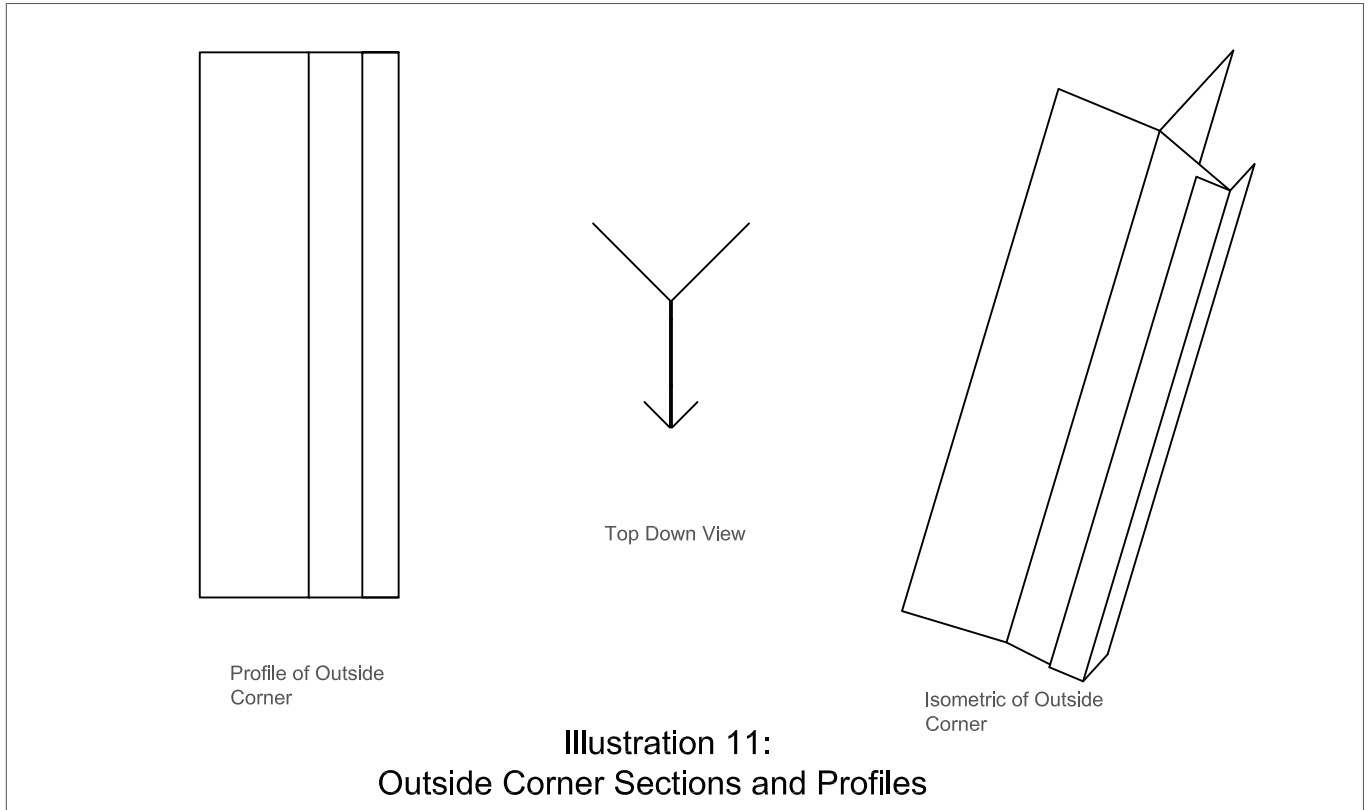
INSIDE CORNERS FOR STRUCTURAL BASE

Illustration 9 shows different profiles and views of the inside corners. Illustration 10 shows the installation of the inside corners of the structural base assembly.



OUTSIDE CORNERS FOR STRUCTURAL BASE

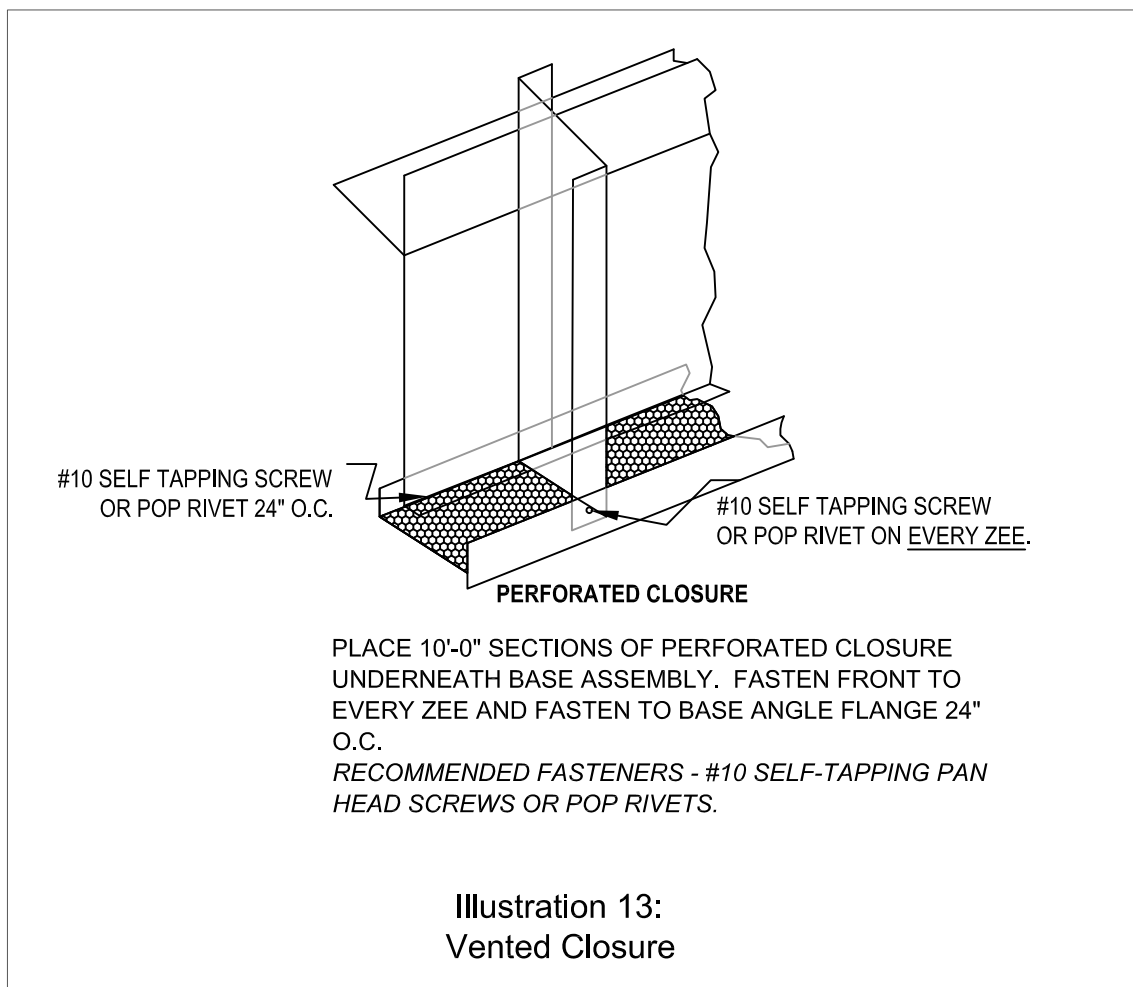
Illustration 11 shows different profiles and views of the outside corners. Illustration 12 shows the installation of the outside corners of the structural base assembly.



Upon completion of the installation of the Structeavent base assembly, the finished metal installer should inspect and determine if the base has been installed true and correct in the proper vertical and horizontal planes.

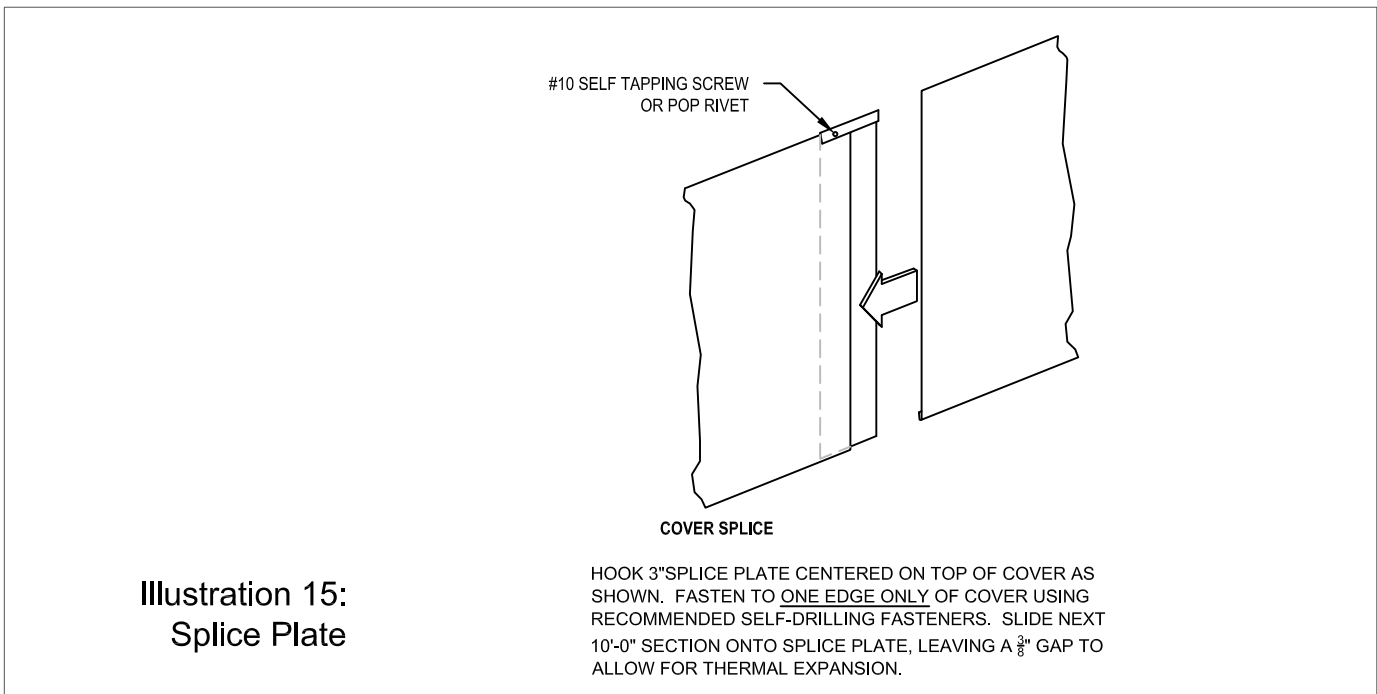
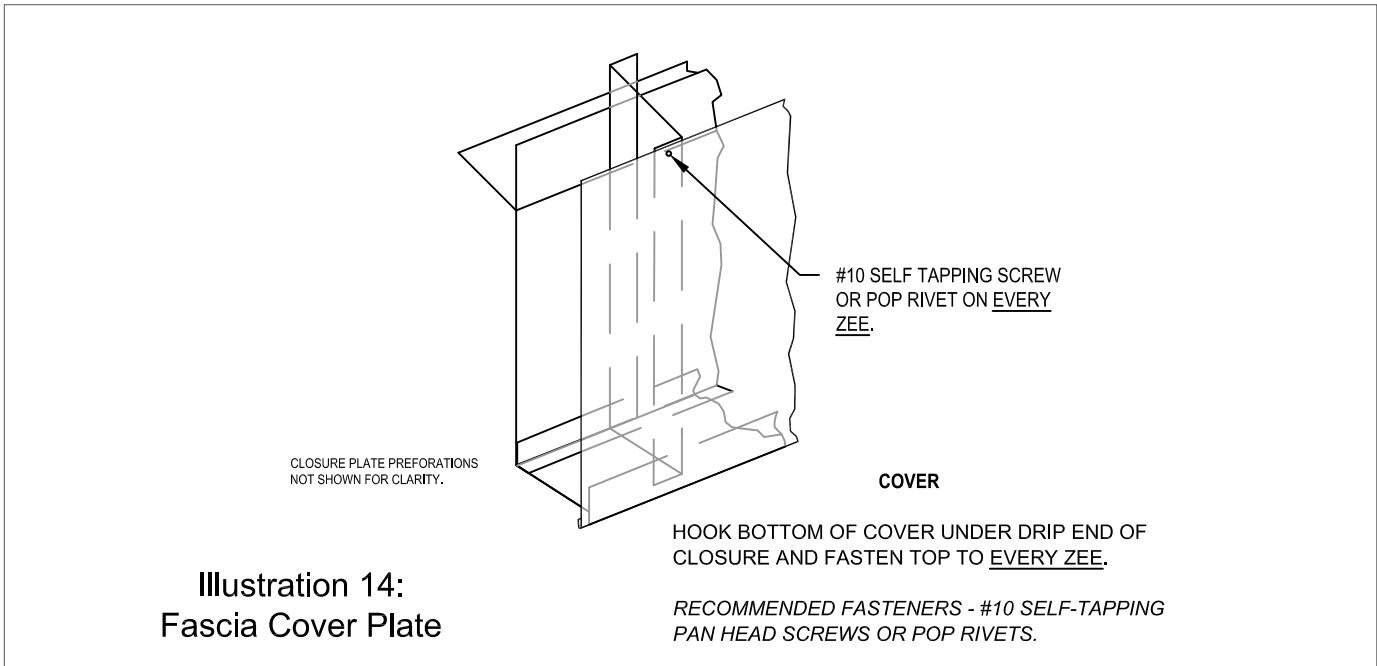
If the base exhibits any up and down or in and out of the vertical or horizontal planes, contact the GC or base installer for correction before proceeding with closure and fascia installation. Upon determining the base is in an acceptable condition, the fascia and closure can now be installed. Care should be taken when transporting and installing the fascia and closure to avoid scratching the Kynar finish. Upon completion, we recommend using a touch up paint, if required, to provide longer performance and a more complete finish. Touch up paints may be obtained locally.

The aluminum closure, (if vented assembly), is installed first (Illustration 13). This will fit snugly over the bottom of the base and zee sections. Attach closure using panhead screw or pop rivets. Attach at 24" on center on the back side of the Structeavent base, and at every Zee on the front of the base assembly.



The Fascia is pre fabricated, based on the dimension supplied to manufacture the base. After installation of the vented closure, hook the bottom edge of the fascia to the drip edge of the vented closure, and attach the fascia at each zee. (Illustration 14)

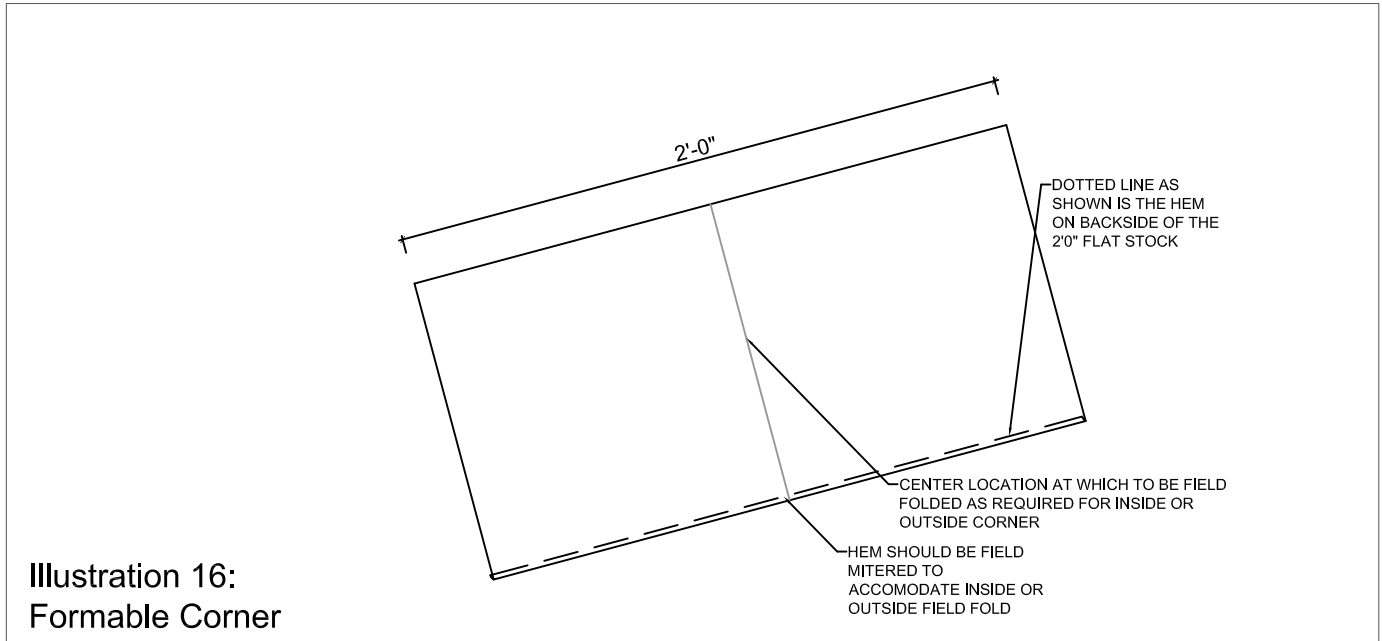
For ease of installation the splice plate can be attached to a section of the fascia plate prior to being installed on the base assembly. (Illustration 15)



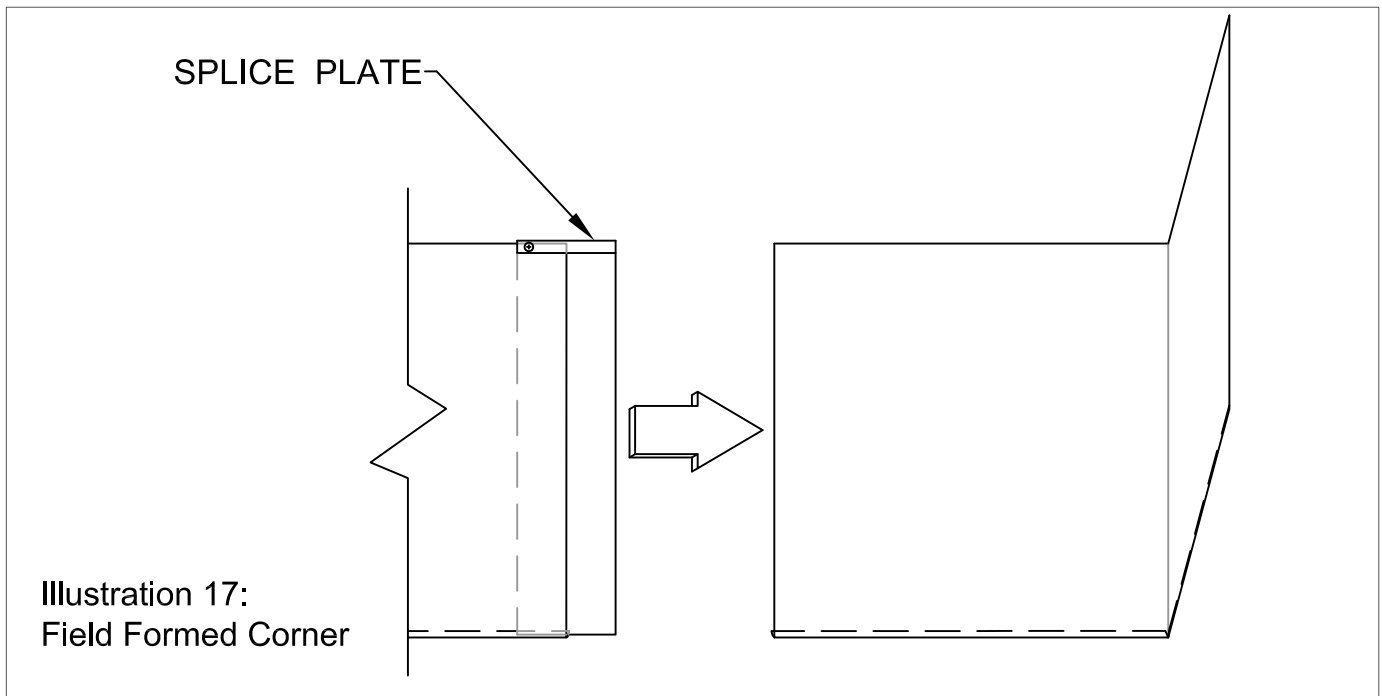
The finishing of the fascia at corners, end runs, walls etc...are the same as they would be when covering wood blocking, using standard field finishing folds and cuts in accordance with standard sheet metal techniques and SMACNA.

Available Field Options.

Formable inside and outside corner pieces, (Illustration 16,) from 2'0" flat fascia.



Formed inside / outside corner piece, (Illustration 17), Install as normal with splice plate or lap on either end, when connecting to standard fascia.



The corner attachment with a splice plate, or lap as required. Corner Fascia is attached as standard practice to every Zee.